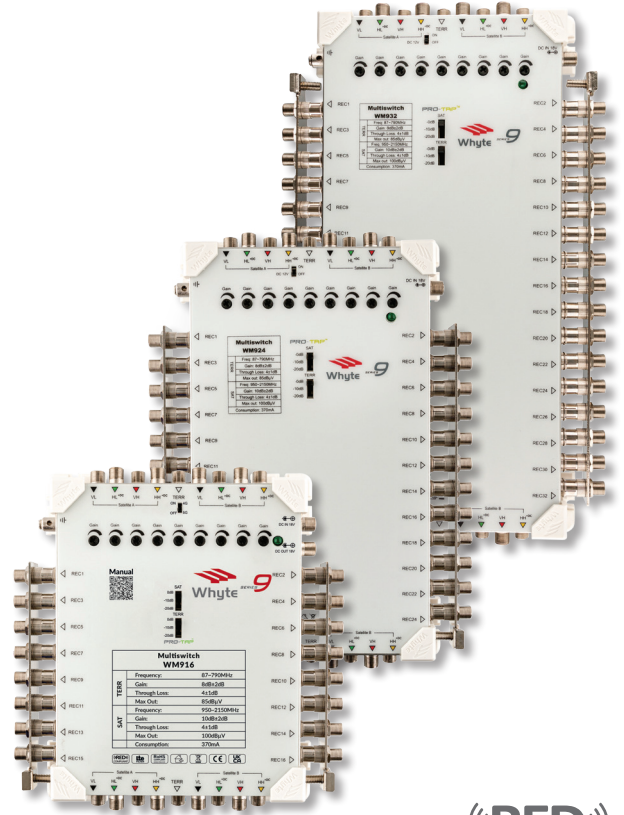


Series 9 Multiswitches

WM916 | WM924 | WM932



- RED Compliant
- 4 Years Warranty
- Gain Control on all inputs
- Comes with Earth Bars fitted
- SAT gain 10dB / TERR gain 8dB
- Colour coded inputs and outputs
- Line Powered cascading Multiswitch
- LED Power Indicator & Inbuilt 4G LTE filter
- Switchable 12V DC Supply to Terrestrial input
- Uses receiver power to reduce demands on PSU
- Use as standalone when powered with a Whyte PSU
- Separate SAT & TERR Pro-Taps™ for ease of installation
- Comes with 9 F-Type couplers for easy connection to all Series 9 products
- Use Whyte Series 9 Launch Amplifiers & Splitters to build large scale IRS Systems



PRO-TAP

((RED))
COMPLIANT

Whyte Series 9 is a range of 9 wire line powered Cascading Multiswitches. The Whyte Series 9 range comes fitted with Pro-Tap™ Technology. Developed by Whyte Technologies, a Pro-Tap is an in-built “Protean Tap” which enables the installer to easily select tap attenuation of 0, -10 or -20dB whilst still maintaining a trunk through loss of only 4dB. IRS System pre-planning is virtually not required as tap loss settings are selected at the commissioning stage.

MODEL		WM916	WM924	WM932
Frequency Range	SAT	950 - 2150MHz	950 - 2150MHz	950 - 2150MHz
	TERR	87 - 790MHz	87 - 790MHz	87 - 790MHz
Input (F-Type Female)		8 SAT + 1 TERR	8 SAT + 1 TERR	8 SAT + 1 TERR
Tap Outputs (F-Type Female)		16	24	32
Gain	SAT	≥10dB	≥10dB	≥10dB
	TERR	≥8dB	≥8dB	≥8dB
Gain Control	SAT	10dB ±2dB	10dB ±2dB	10dB ±2dB
	TERR	10dB ±2dB	10dB ±2dB	10dB ±2dB
Pro Tap™ Attenuation Select		0 / -10 / -20dB	0 / -10 / -20dB	0 / -10 / -20dB
Return Loss	SAT Trunk Input / Output	>10dB / >10dB	>10dB / >10dB	>10dB / >10dB
	TERR Trunk Input / Output	>8dB / >8dB	>8dB / >8dB	>8dB / >8dB
	Tap Output	>8dB	>8dB	>8dB
Max Output Level	SAT (IMA ³ -35dB)	95dBμV	95dBμV	95dBμV
	TERR (IMA ³ -60dB)	>85dBμV	>85dBμV	>85dBμV
Isolation	Trunk-Trunk	>28dB	>28dB	>28dB
	Cross-Polar	≥25dB	≥25dB	≥25dB
	Tap-Tap (SAT)	>25dB	>25dB	>25dB
	Tap-Tap (TERR)	>21dB	>21dB	>21dB
	Rejection	≥20dB	≥20dB	≥20dB
Impedance		75Ω	75Ω	75Ω
Switching Commands	Legacy	13/18V / 22kHz / DiSEqC	13/18V / 22kHz / DiSEqC	13/18V / 22kHz / DiSEqC
Power Supply Voltage		18V DC	18V DC	18V DC
Powering	Via DC In	YES	YES	YES
	Via HL & HH Input	YES	YES	YES
Power Consumption (Max) @ 18V		370mA	370mA	370mA
Power Indication		LED	LED	LED
Trunk Max Current Pass (per Line)		2A	2A	2A
Masthead Supply (Switchable)	TERR Input Only	12V DC 100mA	12V DC 100mA	12V DC 100mA
Earth Terminal Bars (Tap Outputs)		YES	YES	YES
Earth Lug		Up to 6mm ² core	Up to 6mm ² core	Up to 6mm ² core
Dimensions with Earth Bars W x L x H (mm)		205 x 224 x 43mm	205 x 278 x 43mm	205 x 340 x 43mm
Weight		1098g	1412g	1738g